

- **Powered by BYD Iron-phosphate battery**
- **Maintenance-free battery**
- **Easy and Ultra-fast charging technology**
- **Ergonomically designed with optimized operator comfort**
- **Maintenance-free AC drive technology**



### Standard Features:

- Tow load capacity of 5000 Kg
- 48V 3-phase AC Drive Motor
- BYD Lithium Iron-phosphate battery
- Plug-in side charging
- Opportunity charging without memory effect: charge your battery whenever needed
- Electric power steering with ultimate steering accuracy

### Optional Features:

- Weather protections
- Flashing beacon
- 12V Power outlet
- Non-marking tyres

### BYD T50 Electric Tow Tractor with 5,000 kg capacity

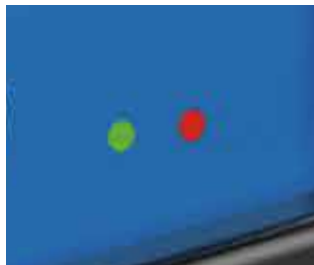
- Fast battery charging: 1 hour fast charging allows multi-shift operation without battery changing
- Walk-along driving control: two driving control buttons have been placed to allow truck to drive at walking pace, allowing order-picking with greatest efficiency. Inching controls for simple coupling and decoupling (optional).
- Twin-front-steering wheel design with improved stability without reducing maneuverability

### Advantages of BYD Way



#### Side-charging

Plug and start your charger in just 4 seconds.



#### Walk-along driving controls

Just press the driving controls to allow your tractor to walk along with you.



#### Low-step Easy Entry

Designed with Spacious Legroom



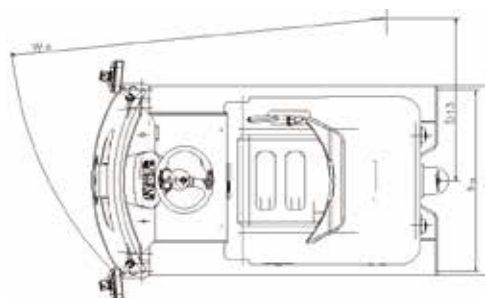
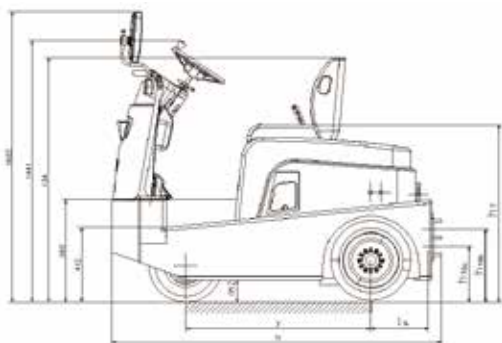
#### Weather protection (optional)

Easy to fit cabin allows for both indoor and outdoor applications

## Specifications – BYD Tow Tractor

<b>Identification</b>	1.1	Manufacturer	BYD		
	1.2	Type	T50		
	1.3	Drive	Electric		
	1.4	Operator type	Seat		
	1.5	Load capacity/Rated load	Q	kg	5000
	1.5	Load capacity/Rated load	F	N	1500
	1.7	Wheelbase	y	mm	1013
<b>Weights</b>	2.1	Service weight including battery		kg	1000
	2.3	Axle Load, without load (front/rear)		kg	410/590
<b>Wheels/chassis</b>	3.1	Wheel type	Pneumatic/Solid		
	3.2	Wheel size, front			4.00-8
	3.3	Wheel size, rear			5.00-8
	3.5	Wheels, number front/rear (x=driven wheels)			2/2x
	3.6	Track width, front	b10	mm	229
	3.7	Track width, rear	b11	mm	835
<b>Basic dimensions</b>	4.8	Seat height/stand height	h7	mm	980
	4.12	Coupling height	h10	h10a (mm)	292
				h10b (mm)	372
	4.17	Rear overhang	l5	mm	385
	4.19	Overall length	l1	mm	1800
	4.21	Overall width	b1	mm	980
	4.32	Ground clearance, center of wheelbase	m2	mm	110
	4.35	Turning radius	Wa	mm	1550
4.36	Smallest pivot point distance	b13	mm	630	
<b>Performance data</b>	5.1	Travel speed, with/without load		km/h	11/14
	5.2	Maximum drawbar pull, (S2=5min), with/without load		N	7600
	5.3	Maximum gradeability, with/without load		%	10/20
	5.4	Service brake	Hydraulic		
<b>Electrics</b>	6.1	Drive motor rating S2 60 min		kW	5.5
	6.2	Battery voltage/nominal capacity K5		V/Ah	48/110
	6.3	Battery weight		kg	280
<b>Others</b>	7.1	Type of drive control			AC
	7.2	Sound pressure level at operator's ear according to EN 12053		dB	80
					PIN

\*BYD reserves the right to alter and modify the design, features and technical parameters of its products at any given time and without pre-advice, as products are subject to ongoing and continuous development.



BYD Europe B.V.

's-Gravelandseweg 256, 3125 BK Schiedam, the Netherlands

Tel: 0031 102070888 / Fax: 0031 1020 70880 / [www.bydforklift.com](http://www.bydforklift.com)



**BYD FORKLIFT**